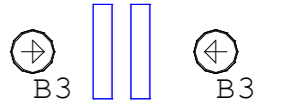
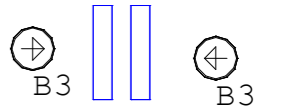
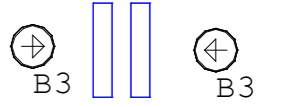
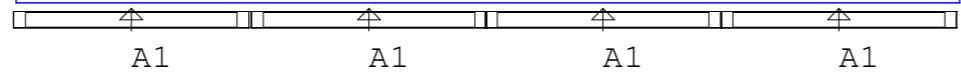




Project Name : Naenae College	Date:	
Rev:	Drawing Number:	Drawn By:



Recommended to carry  
type A1 to wash School Shield



**TARGETTI**

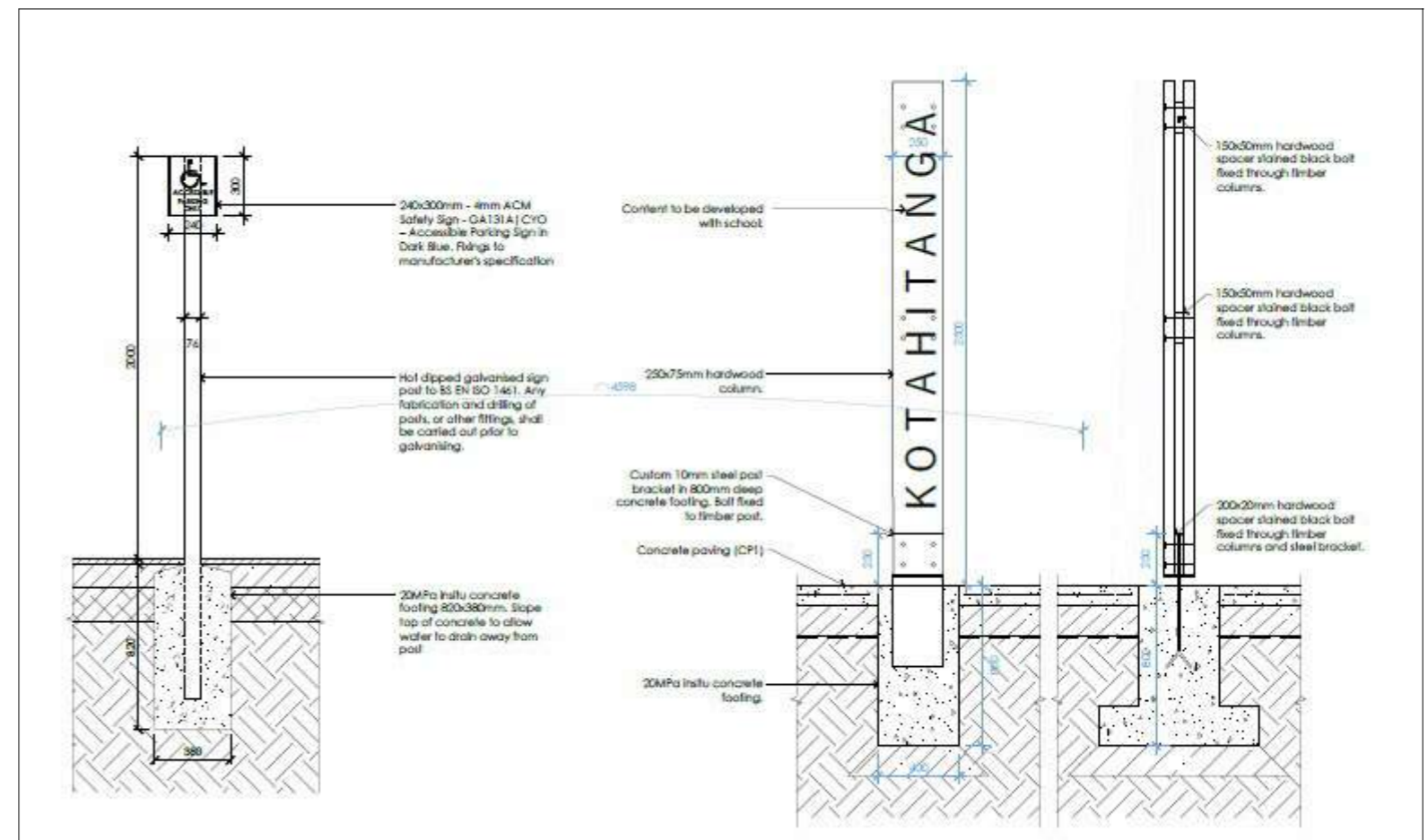
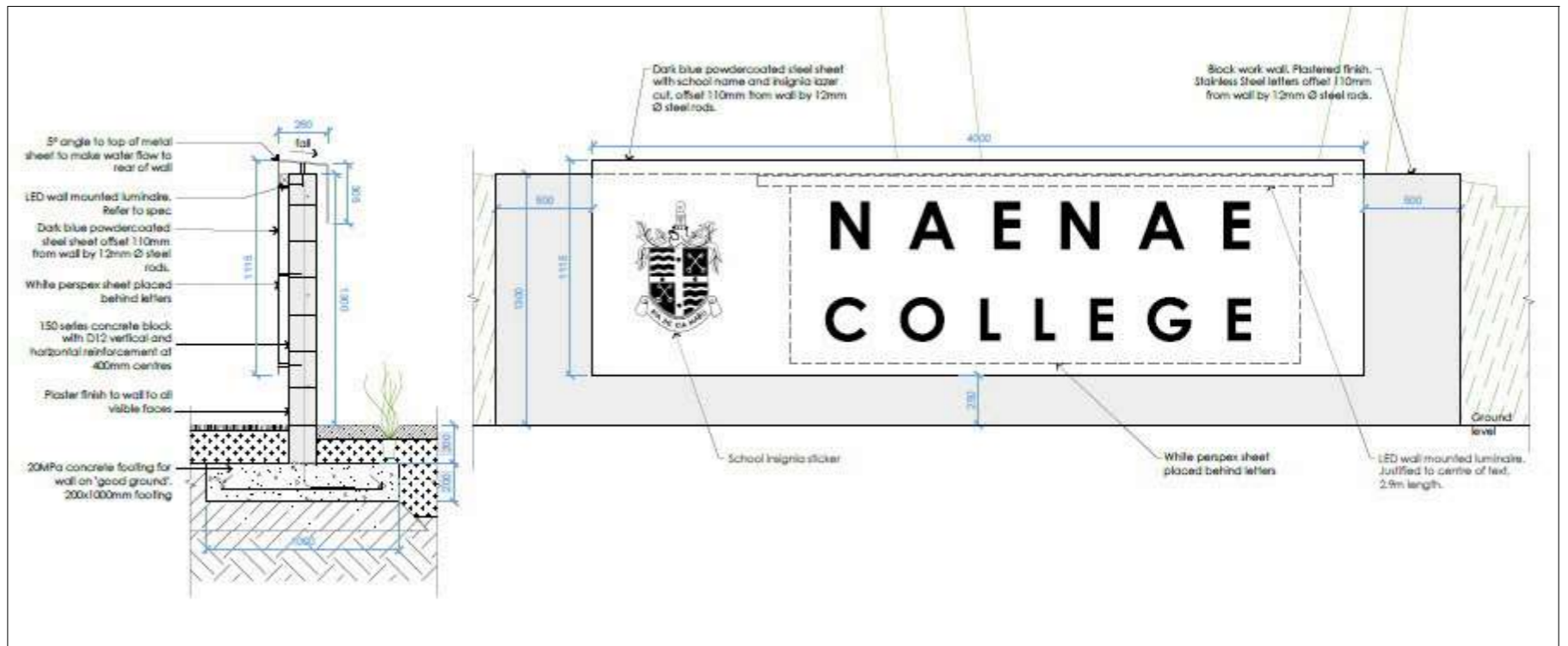
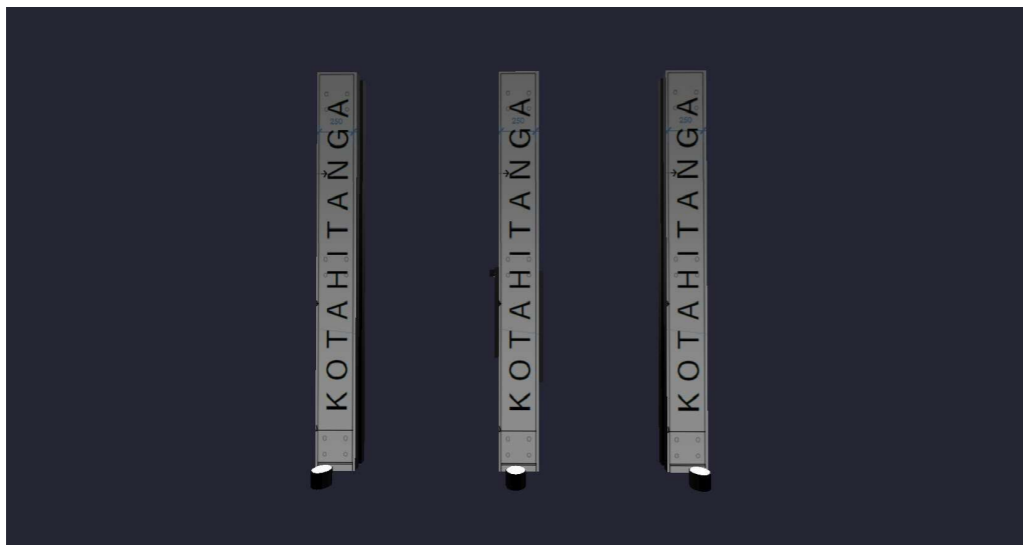
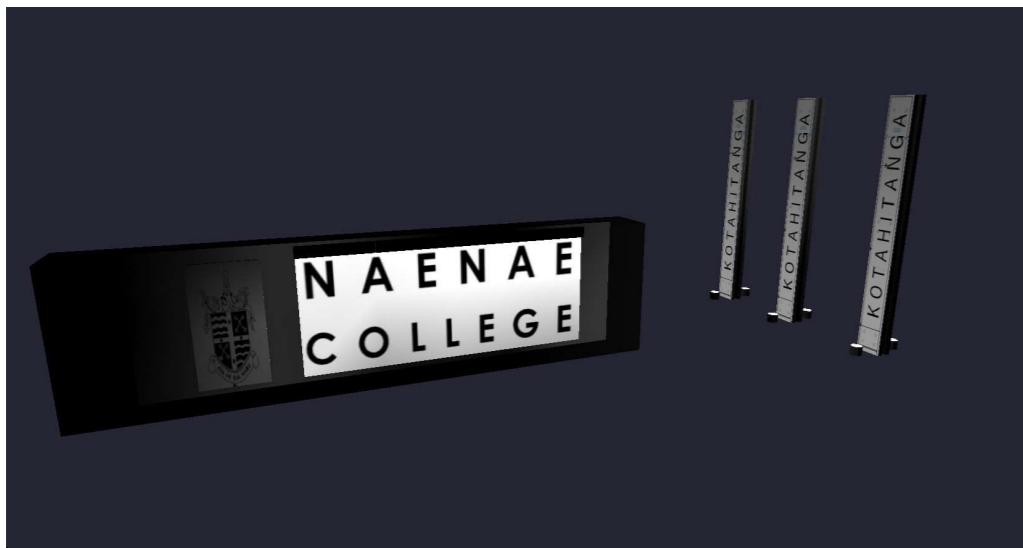
Project Name : Naenae College

Rev:

Drawing Number:

Date:

Drawn By:



**TARGETTI**

Project Name : Naenae College

Rev:

Drawing Number:

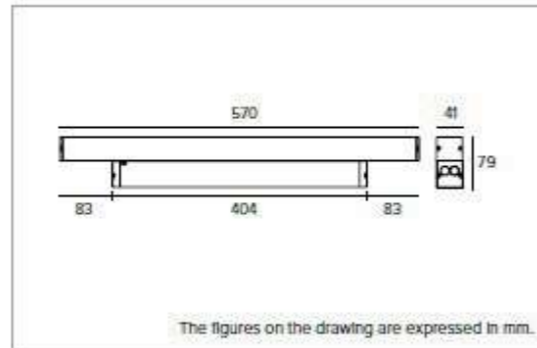
Date:

Drawn By:

**1T6766DA | JEDI COMPACT IP40**  
Adjustable linear LED projector



4000K	H(m)	D1(m)	D2(m)	Emax(k)
Ra90	70°	15°		
Fixture Power	28W	1	1.55	0.26
Source Flux	3180lm	2	3.10	0.51
Fixture Flux	2644lm	3	4.65	0.77
Efficacy	94lm/W	4	6.21	1.02
TS1080	Imax=1602cd/km	Imax	5093cd	5
			7.76	1.28
			204	



**SOURCE**

High Power Ra90 linear LED board.  
**Energy efficiency class:** E  
**Nominal power:** 24W  
**Nominal flux:** 3180lm  
**Colour rendering index:** 90  
**Rf:** 89.8  
**Rg:** 98.7  
**CCT nominal:** 4000K  
**SDCM:** 3  
**Lifetime 30000h tq+25°C:** L92/B10  
**Lifetime 50000h tq+25°C:** L87/B10

**ILLUMINOTECHNICAL CHARACTERISTICS**

Internal optical system composed of a primary cylindrical glass lens, a high reflectance anodised aluminium reflector and an integrated holographic filter. Grazing light version.  
**Optic:** GRAZING  
**Optical efficiency:** 86%  
**Fixture flux:** 2741lm  
**Luminous efficacy:** 98lm/W  
**Photobiological safety:** Low risk photobiological safety RG1

**MECHANICAL CHARACTERISTICS**

Extruded anodised aluminium 15µ body. 1.8mm thick polycarbonate removable (to insert accessories) flat screen. Removable driver box. The body of the fixture is adjustable and can be installed away from the mounting surface using accessory brackets.  
**Colour and finish:** Aluminium  
**Dimensions:** L=570mm  
**Weight:** 1.85Kg  
**Version:** INTEGRATED-REMOVABLE DRIVER  
**Degree of protection:** IP40

**ELECTRICAL CHARACTERISTICS**

Integrated/detachable driver. Complete with electronic or DALI power supply, pre-cabled with a 1 metre 5x0.75mm<sup>2</sup> cable. The driver can be removed and placed in another position while remaining connected (cable 0.5m). Luminaire compliant with EN 60598-2-22 for power supply from a centralised emergency system CPSS (Central Power Supply System), not incorporated in the luminaire - high risk areas excluded. The default power and flux are 100% in AC and 100% in DC.  
**Fixture Power:** 28W  
**Power supply:** 220-240Vac 50/60Hz  
**Insulation Class:** CLASS 1  
**Type of driver / Control:** DALI  
**Driver Included:** YES  
**SAFE FLICKER:** PstLM<-1 and SVM<-1 (IEC TR 61547-1 and IEC TR 63158), to ensure a more comfortable and safe light

**INSTALLATION**

To be completed with stainless steel fixed or adjustable brackets.

**NOTES**

Anti-glare grill available for all versions. Casambi control system available using a dedicated accessory.

**WARRANTY**

5 years.

**WARNING**

Luminaire designed for disposal/recycling at end-of-life. Replaceable (LED only) light source by a professional. Replaceable control gear by a professional.

Due to the technological evolution of the electronic components, the data provided may be updated, and as such, confirmation must be requested during the order process.  
 Luminous flux and power supply have +/-10% tolerances with respect to the indicated value. tq +25°C (CIE D2).

We reserve the right to make technical changes.

Targetti Sankey S.p.A.  
 Via Prato, 164  
 50145 Firenze - Italy  
 Tel: +39 055 37911  
 Fax: +39 055 3791266  
 targetti.com  
 targetti@targetti.com

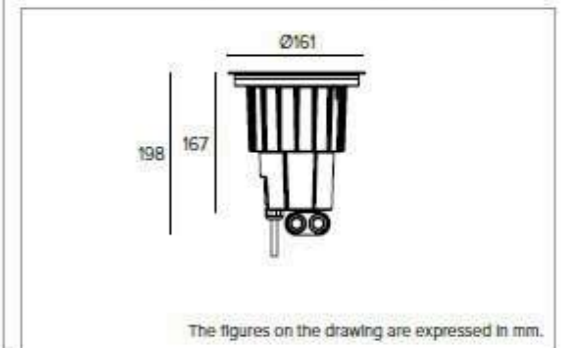
CCIAA Firenze  
 Share Capital  
 € 500.000,00  
 VAT N. (IT):  
 01537660480  
 R.E.A. FI-275656



**1E2510 | KEPLERO Mini High Efficacy**  
Compact inground adjustable projector equipped with LED sources



4000K	H(m)	D(m)	Emax(k)
Ra80		11°	
Fixture Power	14W	1	0.20
Source Flux	1821lm	2	0.39
Fixture Flux	1423lm	3	0.59
Efficacy	105lm/W	4	0.79
TS821	Imax=9992cd/km	Imax	18196cd
			5
			0.95
			728



**SOURCE**

High efficiency LED Chip on Board. 2700K-3500K on request.  
**Energy efficiency class:** D  
**Nominal power:** 12W  
**Nominal flux:** 1821lm  
**Colour rendering index:** 80  
**Rf:** 82  
**Rg:** 95  
**CCT nominal:** 4000K  
**SDCM:** 2  
**Lifetime 30000h tq+25°C:** L92/B10  
**Lifetime 50000h tq+25°C:** L90/B10

**ILLUMINOTECHNICAL CHARACTERISTICS**

Highly reflective metallic polycarbonate optic with different beam apertures. Adjustable up to 20° on the vertical plan and up to 350° on the horizontal plan with a friction locking mechanism.  
**Beam angles:** SP  
**Optical efficiency:** 78%  
**Fixture flux:** 1423lm  
**Luminous efficacy:** 105lm/W  
**Photobiological safety:** Low risk photobiological safety RG1

**MECHANICAL CHARACTERISTICS**

Die-cast aluminium body with 3 layers of protection: anodised, cathodoresis and black paint. To be completed with a round or square stainless steel ring, equipped with extra-clear protective glass or special anti-slip glass for public pedestrian areas (natural finish or copper bronze). Anti theft stainless steel A4 Torx screws.  
**Colour and finish:** Brushed stainless steel / Copper bronze  
**Weight:** 1.1Kg  
**Degree of protection:** IP66,IP67,IP68  
**Mechanical Resistance:** IK10

**ELECTRICAL CHARACTERISTICS**

Connection to the mains via IP68 waterproof connectors for H07RN-F cable (max 2x1mm<sup>2</sup>). Version powered by a 220-240Vac available with an integrated electronic driver. Luminaire compliant with EN 60598-2-22 for power supply from a centralised emergency system CPSS (Central Power Supply System), not incorporated in the luminaire - high risk areas excluded. The default power and flux are 100% in AC and 100% in DC.  
**Fixture Power:** 14W  
**Power supply:** 220-240Vac 50/60Hz  
**Insulation Class:** CLASS 2  
**Type of driver / Control:** ELECTRONIC  
**Driver included:** YES  
**SAFE FLICKER:** PstLM<-1 and SVM<-1 (IEC TR 61547-1 and IEC TR 63158), to ensure a more comfortable and safe light

**INSTALLATION**

Nylon casing accessory for flush or semi-flush installation. 20kN resistance to static load.

**NOTES**

All lighting fixtures have to be completed with installation sleeves and decorative ring. The projector can withstand temporary accidental immersion to a depth of 1.3 metres (max.1h) but is unsuitable for permanent underwater installation. All versions of the KEPLERO family meet all the requirements of EN 60598-2-13 standard regarding drive-over and walk-over performances. Low temperatures on the glass which characterises the LED range of fixtures make them suitable even for installation in "special areas", such as spaces for children. Uses the "Waterblock Smart" technical solution that involves resin coating the connection cables, limiting the risk of humidity reaching the driver or the fixture. 110-277 Vac version available on request.

**REGULATIONS AND CERTIFICATIONS**

ENEC.

**WARRANTY**

5 years.

Due to the technological evolution of the electronic components, the data provided may be updated, and as such, confirmation must be requested during the order process.  
 Luminous flux and power supply have +/-10% tolerances with respect to the indicated value. tq +25°C (CIE D2).

We reserve the right to make technical changes.

Targetti Sankey S.p.A.  
 Via Prato, 164  
 50145 Firenze - Italy  
 Tel: +39 055 37911  
 Fax: +39 055 3791266  
 targetti.com  
 targetti@targetti.com

CCIAA Firenze  
 Share Capital  
 € 500.000,00  
 VAT N. (IT):  
 01537660480  
 R.E.A. FI-275656



Type A1

Type B3



Project Name : Naenae College

Rev:

Drawing Number:

Date:

Drawn By: